

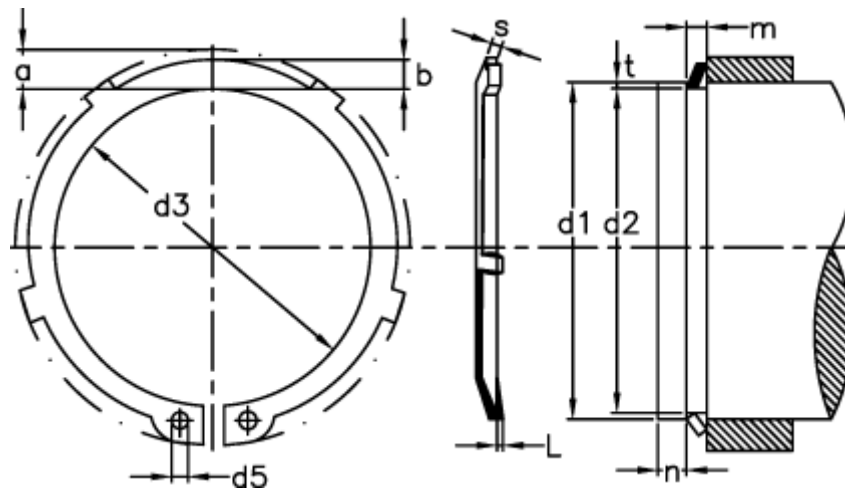
Data Sheet



Article number: 0120054

Description: Retaining ring AL 37X1,5
Spring steel

Measures



a max	= 5.4	FL max kN	= 0.83	s	= 1.50
b	= 4.0	FN kN	= 18.80	tol	= -0.25
C kN/mm	= 2.08	FRg kN	= 5.40	tol	= +0,25 -0,50
d1	= 37	FR kN	= 30.0	u	= 0.10
d2	= 35.0	g	= 2.0		
d3	= 34.2	L min	= 0.50		
d5 min	= 2.5	m min	= 1.60		
Description	= AL 37	Nominal drive	= 3.0		